



# INSTALLATION INSTRUCTIONS

PREMIER SERIES — SURFACE MOUNTED | WIDE FRAME

## Product Information

Premier Wide Frame Features:

- Satin Finish, Anodized Aluminum Body
- Six way Adjustable Cabinet Hinges
- Rubber Door Silencer Pads
- Adjustable Acrylic Shelves



\*\* Professional Installation is recommended to insure proper installation.

\*\* Door removal is recommended, but not required for installation.

\*\* Please do not stand your medicine cabinet on end while unboxing. Lie the cabinet down mirror side up prior to installation. Set on a clean surface, like a towel or carpet to avoid damage.

\*\* Prior to discarding the packaging, locate shelves, door hardware, and screws where applicable.

## Installation Steps

1. Center your cabinet in desired location on the wall. For secure application, locate the studs within the wall to mount the cabinet properly. If you cannot locate the studs, you will need to purchase additional hardware to secure your cabinet to the wall and/or open the wall to install additional bracing. (Figure 1)

Installing the Bottom Wall Mounted Bracket:

1. After setting the position by a level ruler, mark the points through the holes in the bottom wall mounted bracket. Drill the hole, insert the wall plugs below the surface, and use screws to tighten the bottom wall mounted bracket. Hang the bottom of the cabinet into the bottom wall mounted bracket. (Figure 2)
2. Move the up wall mounted brackets, as shown in the diagram. Mark the points and fix the brackets after drilling the holes.

Shelf Installation: (Figure 3)

1. Insert the shelf brackets into the holes situated on the side wall of the cabinet.
2. Put the shelf (A) on top of the shelf brackets, then press the shelf down (B).

## NOTICE:

1. Do not install cabinet with damaged or broken glass. Contact the point of sale for further instructions on replacements.
2. The installation instructions provided are for typical drywall/wood stud type walls. Additional hardware may/will be required for different wall types. Always make sure you adequately brace the cabinet for secure installation. Do not screw directly into drywall without proper bracing.

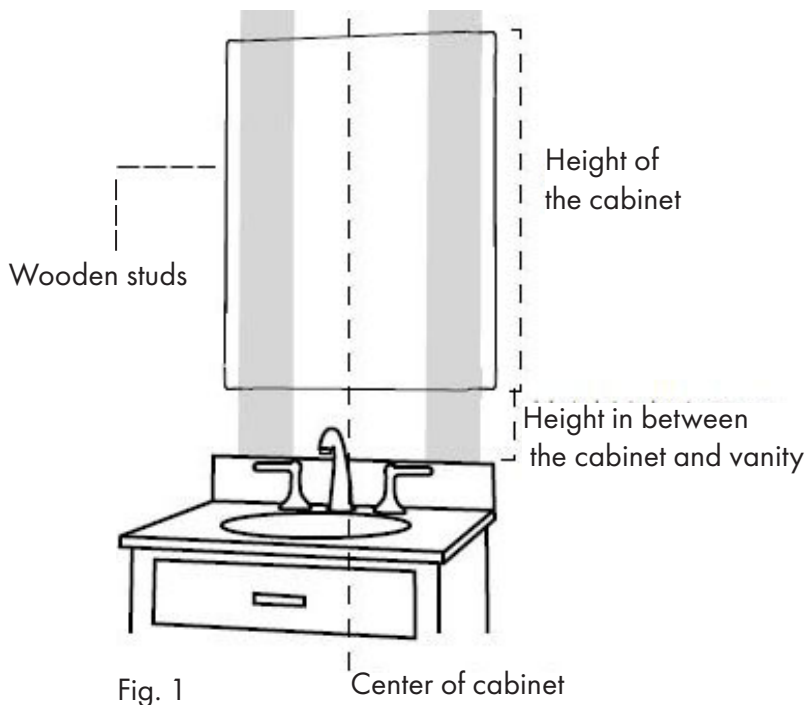


Fig. 1

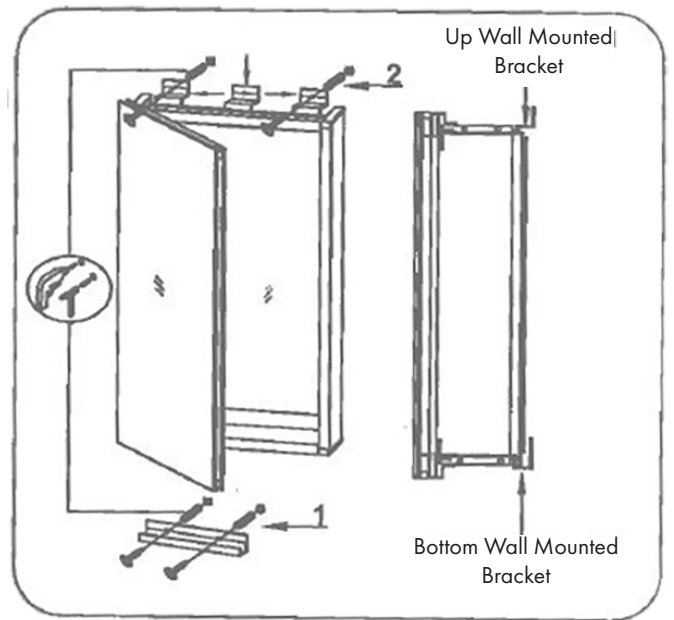


Fig. 2

### Door Adjustment Sketch

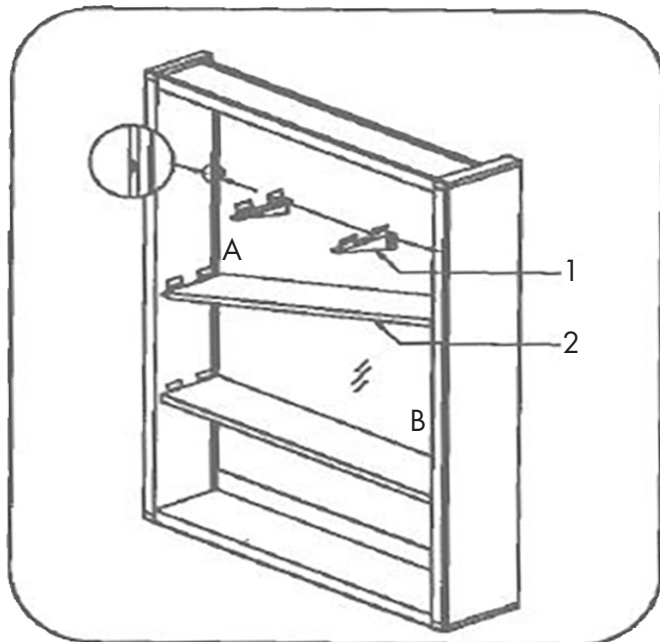


Fig. 3

